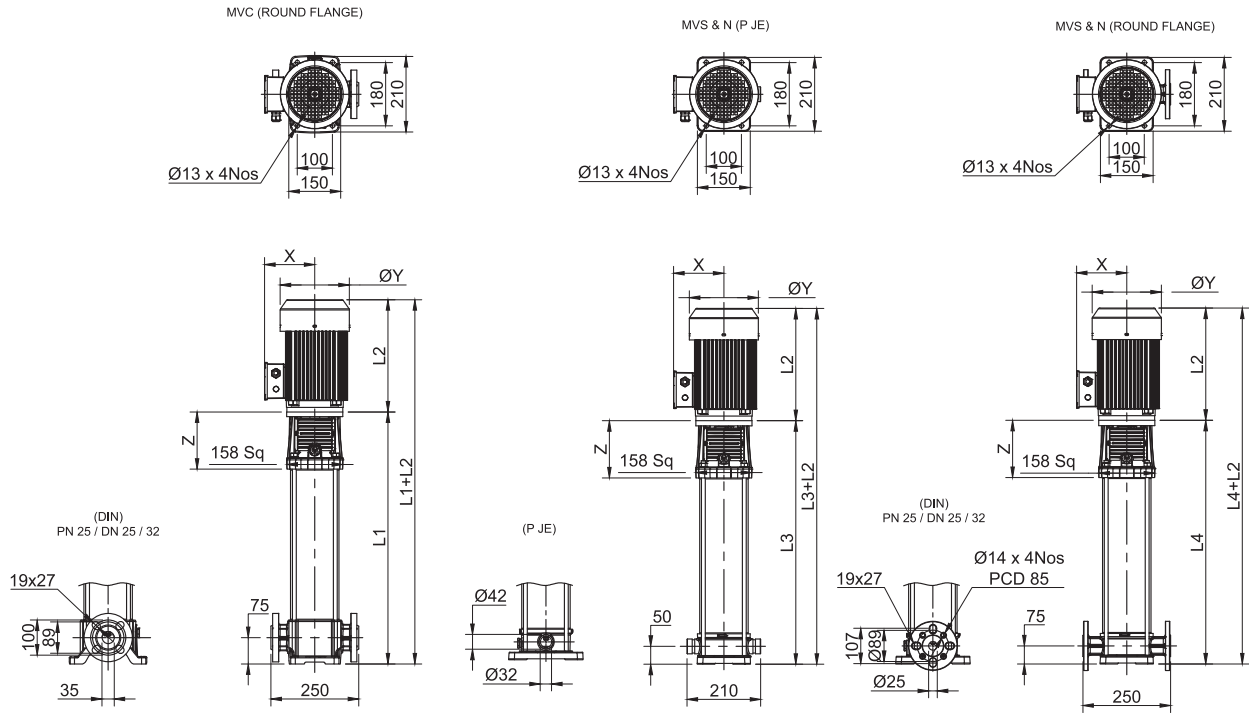


MV-2

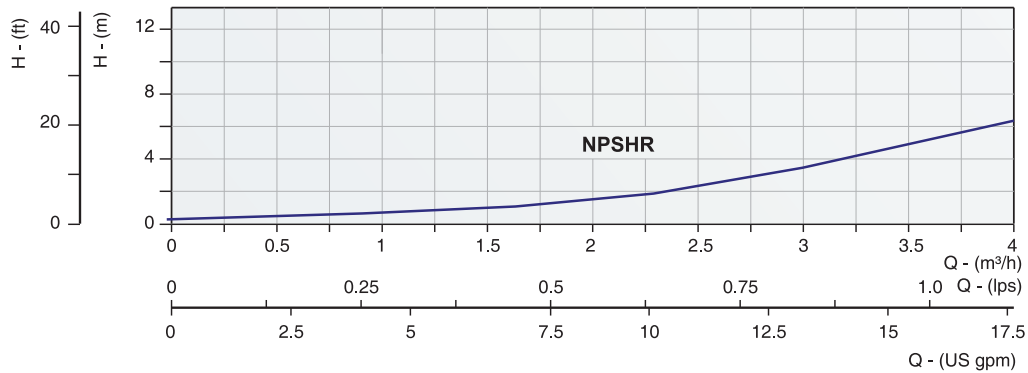
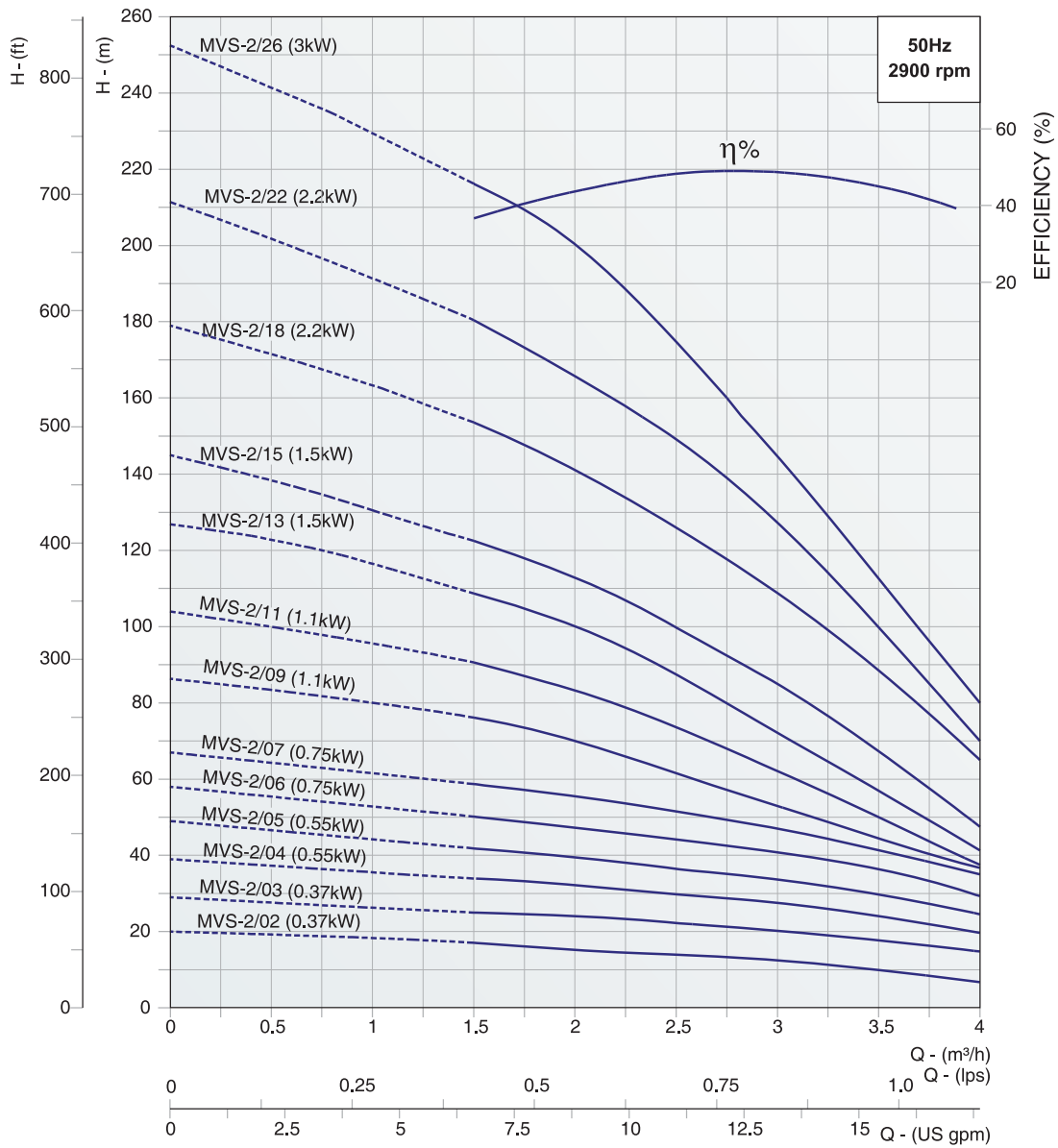


PUMP MODEL	MOTOR POWER		DIMENSIONS IN mm (APPROX)									APPROX NETT WEIGHT WITHOUT PACKING IN kg				
	kW	HP	L1	L2		L3	L4	X		ØY	Z	PUMP			MOTOR	
				1Ph	3Ph			1Ph	3Ph			MVC (R)	MVS & N (P)	MVS & N (R)	1Ph	3Ph
MVS-2/02	0.37	0.5	269	214	214	249	273	137.5	111	139	146	18.6	13.4	15	7	7
MVS-2/03	0.37	0.5	287	214	214	267	291	137.5	111	139	146	19.3	14.1	15.7	7	7
MVS-2/04	0.55	0.75	305	214	234	285	309	137.5	111	139	146	20	14.8	16.4	7.5	8
MVS-2/05	0.55	0.75	323	214	234	303	327	137.5	111	139	146	20.7	15.5	17.1	7.5	8
MVS-2/06	0.75	1	341	234	254	321	345	137.5	111	139	146	21.4	16.2	18.7	9	10
MVS-2/07	0.75	1	359	234	254	339	363	137.5	111	139	146	22.1	16.9	18.5	9	10
MVS-2/09	1.1	1.5	395	254	274	375	399	137.5	111	139	146	23.6	18.4	20	10.5	11.5
MVS-2/11	1.1	1.5	431	254	274	411	435	137.5	111	139	146	25	19.8	21.4	10.5	11.5
MVS-2/13	1.5	2	485	310	280	465	489	145	118.5	160	163	26.6	22	23.6	15	12.5
MVS-2/15	1.5	2	521	310	280	501	525	145	118.5	160	163	28	23.4	25	15	12.5
MVS-2/18	2.2	3	575	303	303	555	579	150	123.5	176	163	30.1	25.5	26.6	17.5	16
MVS-2/22	2.2	3	647	303	303	627	651	150	123.5	176	163	33	28.4	30	17.5	16
MVS-2/26	3	4	719	-	341	699	723	-	123.5	176	163	35.9	31.3	32.9	-	20.5

NOMINAL FLOW : 2m<sup>3</sup>/h

PERFORMANCE CURVES

MV-2



Replace the 3rd digit in model name as "C" for Cast Iron pump base & pump head models and "N" for SS 316 construction.  
 The given performance is same for Type - C, S & N  
 In view of the continuous developments the Information / Descriptions / Specifications / Illustrations are subject to change without notice.