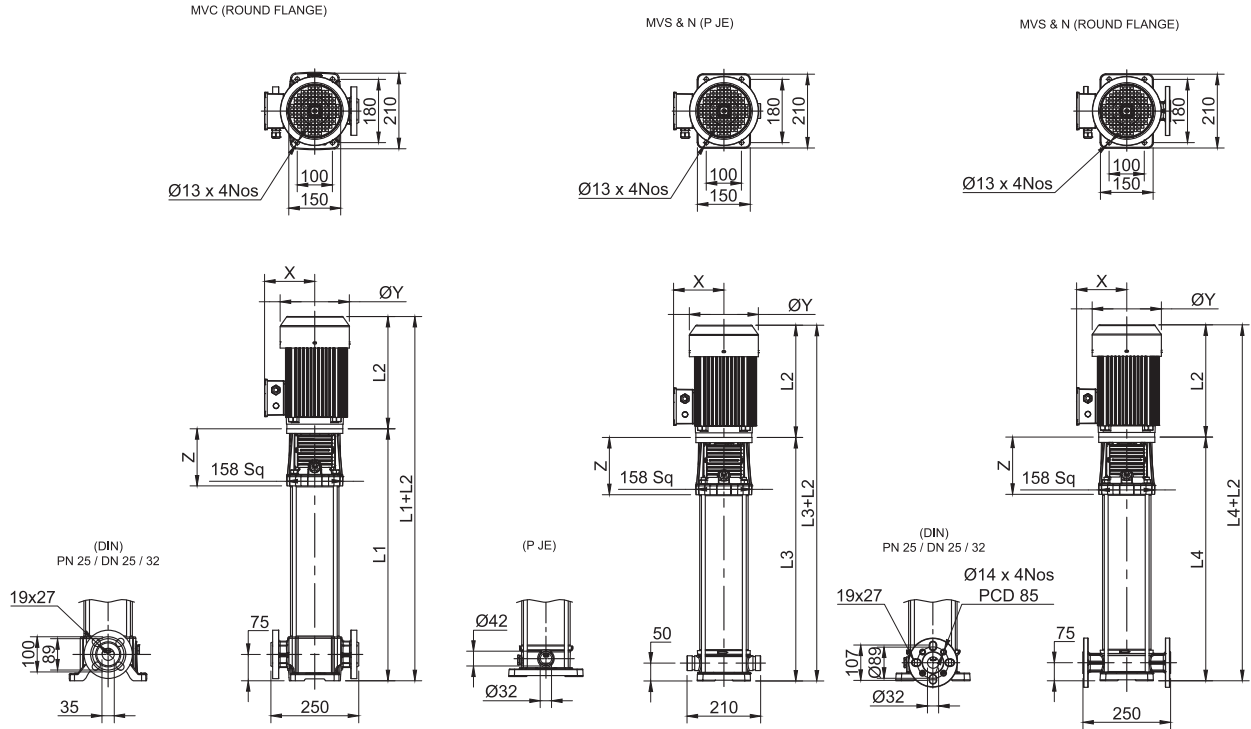


MV-4

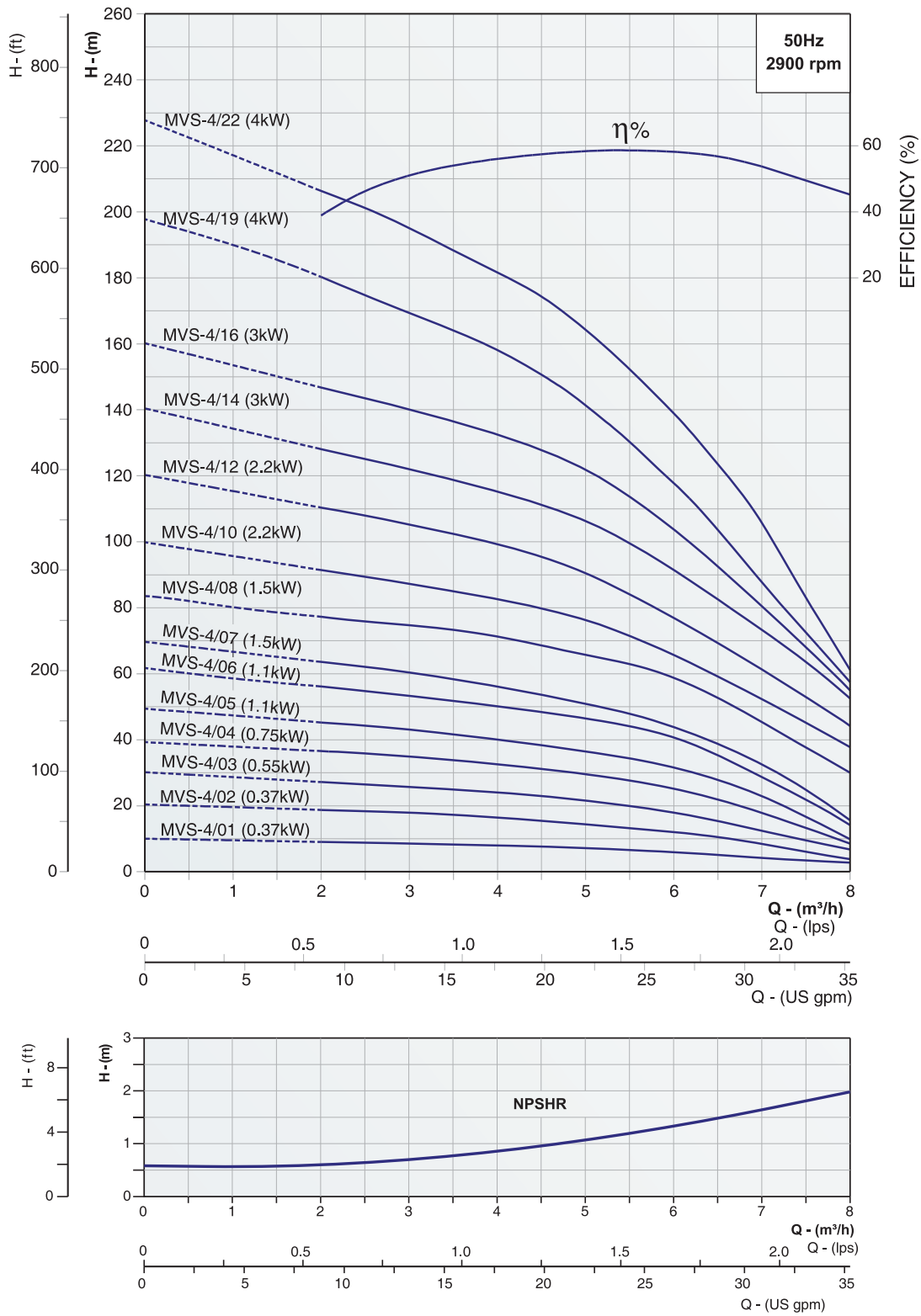


PUMP MODEL	MOTOR POWER		DIMENSIONS IN mm (APPROX)									APPROX NETT WEIGHT WITHOUT PACKING IN kg				
	kW	HP	L1	L2		L3	L4	X		ØY	Z	PUMP			MOTOR	
				1Ph	3Ph			1Ph	3Ph			MVC (R)	MVS & N (P)	MVS & N (R)	1Ph	3Ph
MVS-4/01	0.37	0.5	287	214	214	267	291	137.5	111	139	146	21.9	16.7	18.3	7	7
MVS-4/02	0.37	0.5	287	214	214	294	318	137.5	111	139	146	22.6	17.4	19	7	7
MVS-4/03	0.55	0.75	314	214	234	321	345	137.5	111	139	146	23.3	18.1	19.7	7.5	8
MVS-4/04	0.75	1	341	234	254	348	372	137.5	111	139	146	24	18.8	20.4	9	10
MVS-4/05	1.1	1.5	368	254	274	375	399	137.5	111	139	146	24.7	19.5	21.1	10.5	11.5
MVS-4/06	1.1	1.5	395	254	274	402	426	137.5	111	139	146	25.4	20.2	21.8	10.5	11.5
MVS-4/07	1.5	2	440	310	280	447	471	145	118.5	160	163	26.1	21.5	23.1	15	12.5
MVS-4/08	1.5	2	467	310	280	474	498	145	118.5	160	163	26.8	22.2	23.8	15	12.5
MVS-4/10	2.2	3	521	303	303	528	552	150	123.5	176	163	28.1	23.5	25.1	17.5	16
MVS-4/12	2.2	3	575	303	303	582	606	150	123.5	176	163	29.4	24.8	26.4	17.5	16
MVS-4/14	3	4	629	-	341	636	660	-	123.5	176	163	30.1	25.5	27.1	-	20.5
MVS-4/16	3	4	683	-	341	690	714	-	123.5	176	163	32	27.4	29	-	20.5
MVS-4/19	4	5.5	764	-	342.5	771	795	-	141.5	197	163	34	29.4	31	-	23
MVS-4/22	4	5.5	845	-	342.5	852	876	-	141.5	197	163	36	31.4	33	-	23

NOMINAL FLOW : 4m³/h

PERFORMANCE CURVES

MV-4



Replace the 3rd digit in model name as "C" for Cast Iron pump base & pump head models and "N" for SS 316 construction.
 The given performance is same for Type - C, S & N
 In view of the continuous developments the Information / Descriptions / Specifications / Illustrations are subject to change without notice.