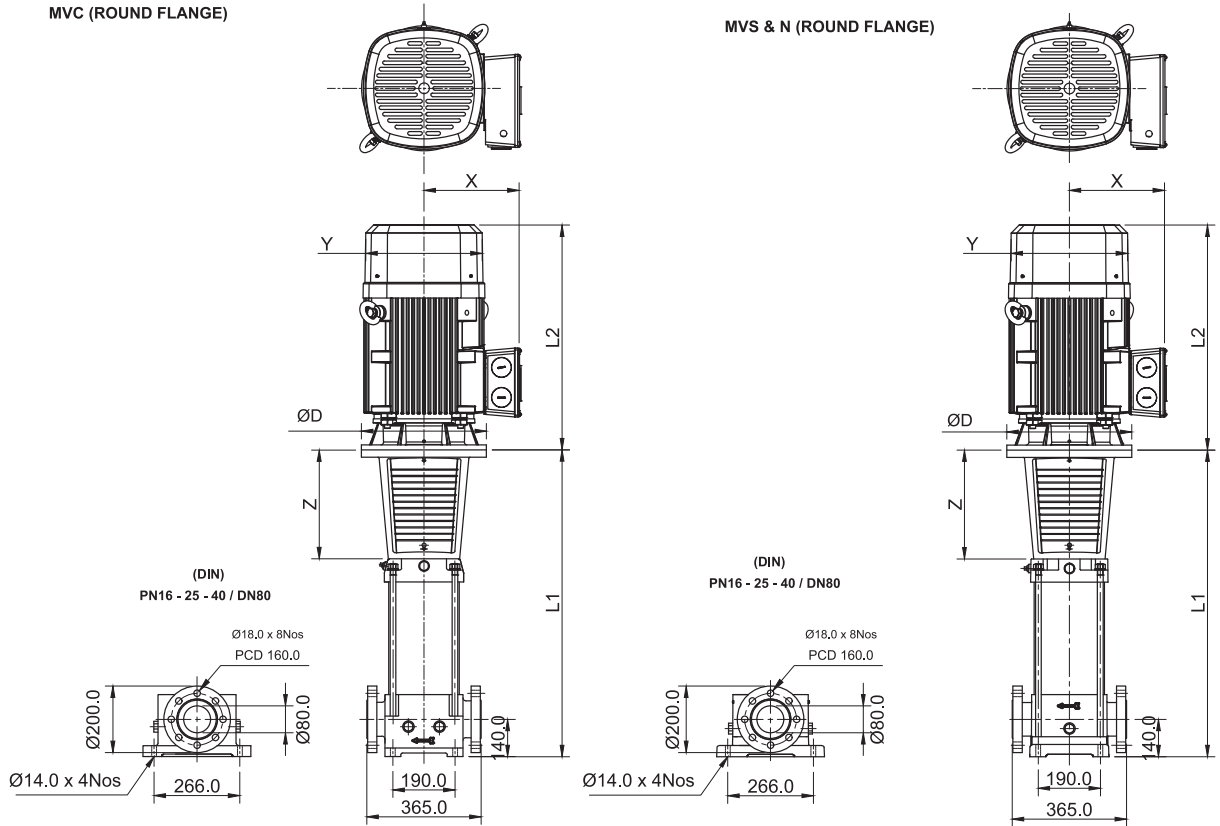


MV-44



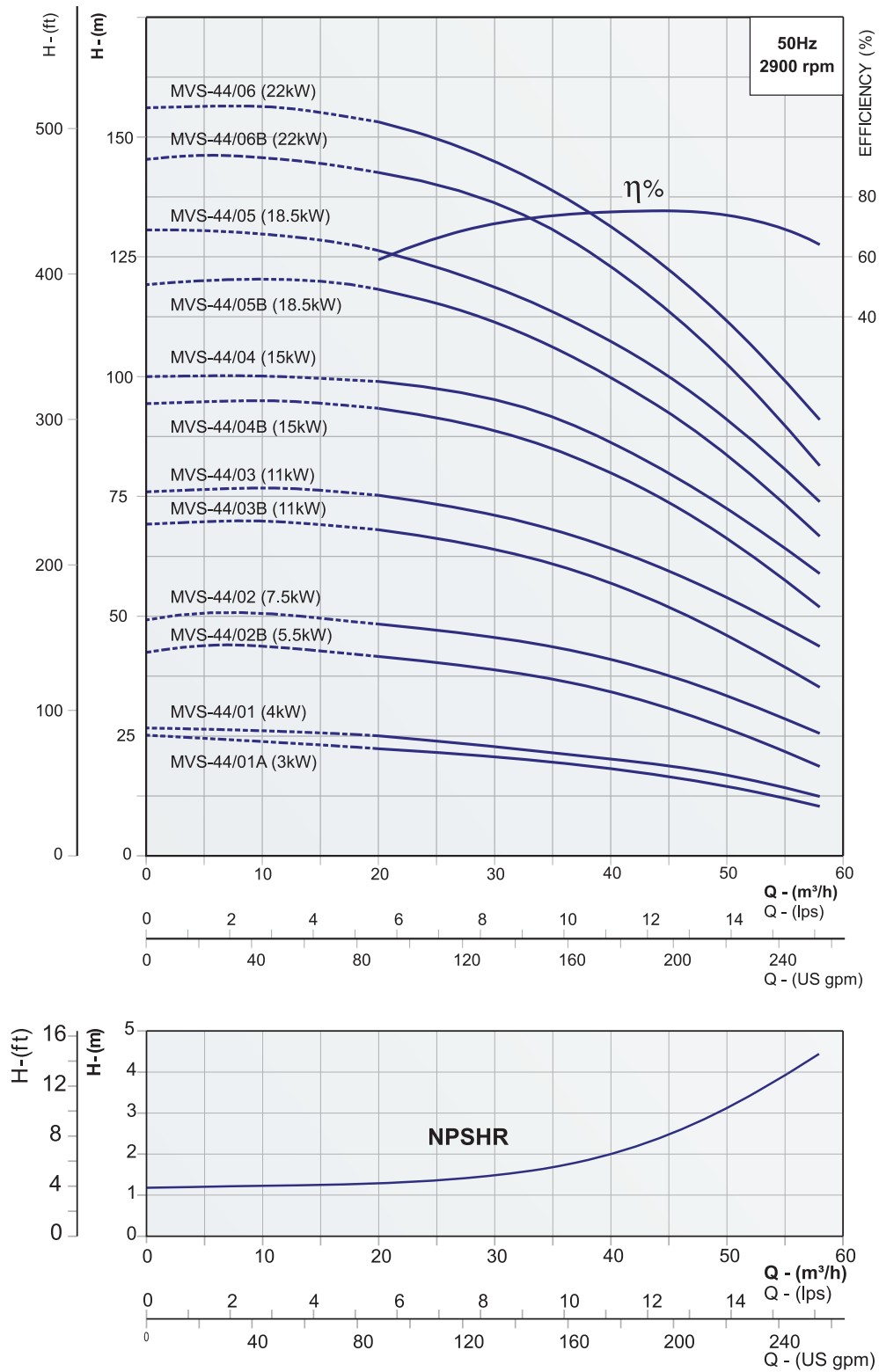
DIMENSIONS & WEIGHT

PUMP MODEL	MOTOR POWER		DIMENSIONS IN mm (APPROX)								APPROX NETT WEIGHT WITHOUT PACKING IN kg			
	kW	HP	L1	L2		X		ØY	Z	ØD	PUMP		MOTOR	
				1Ph	3Ph	1Ph	3Ph				MVC (R)	MVS & N (P)	1Ph	3Ph
MVS-44/01A	3	4	564	-	341	-	123.5	176	190	270	67	64	-	20.5
MVS-44/01	4	5.5	564	-	342.5	-	141.5	197	190	270	67	64	-	23
MVS-44/02B	5.5	7.5	644	-	379	-	189	257	201	270	71	68	-	41.3
MVS-44/02	7.5	10	644	-	419	-	189	257	201	270	71	68	-	47.6
MVS-44/03B	11	15	828	-	495	-	223	314	305	350	89	86	-	122
MVS-44/03	11	15	828	-	495	-	223	314	305	350	89	86	-	122
MVS-44/04B	15	20	908	-	495	-	223	314	305	350	93	90	-	131
MVS-44/04	15	20	908	-	495	-	223	314	305	350	93	90	-	131
MVS-44/05B	18.5	25	988	-	495	-	223	314	305	350	97	94	-	151
MVS-44/05	18.5	25	988	-	495	-	223	314	305	350	97	94	-	151
MVS-44/06B	22	30	1068	-	630	-	271	sq340	305	350	101	98	-	180
MVS-44/06	22	30	1068	-	630	-	271	sq340	305	350	101	98	-	180

NOMINAL FLOW : 44m<sup>3</sup>/h

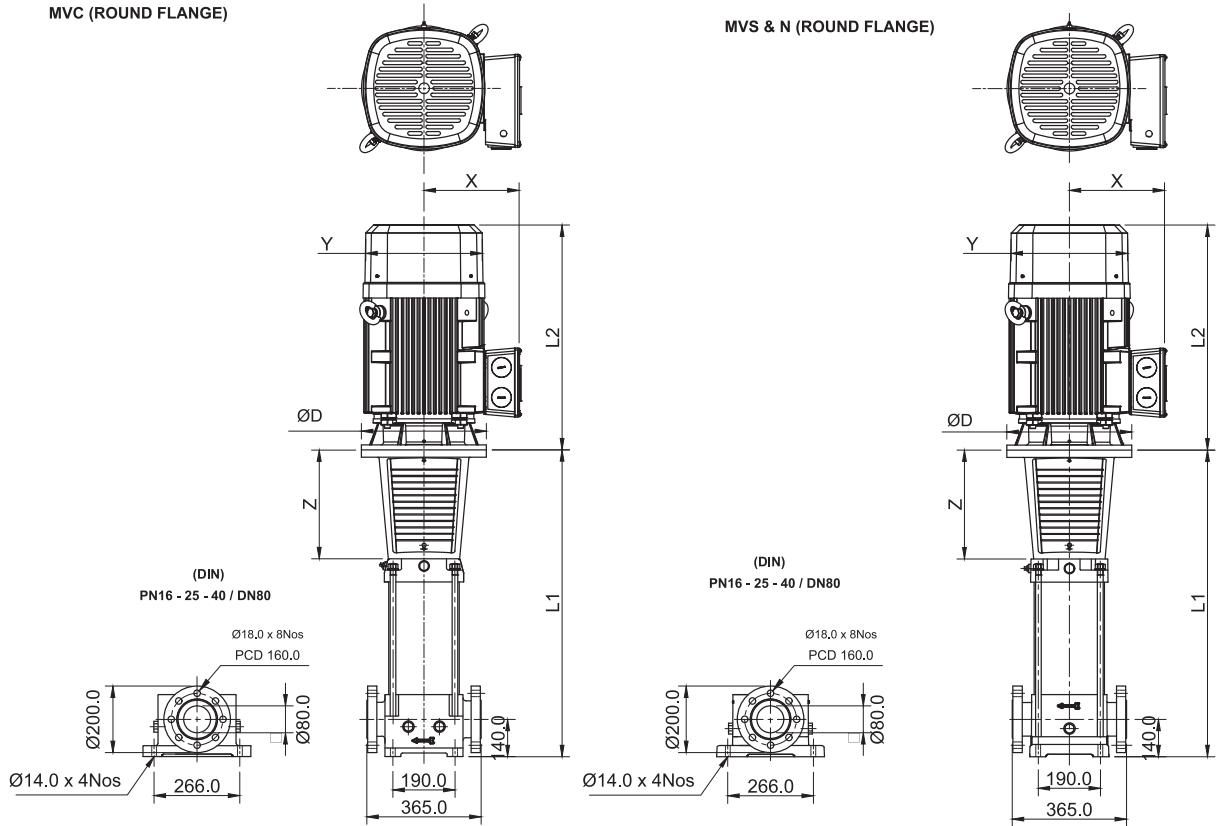
PERFORMANCE CURVES

MV-44



Replace the 3rd digit in model name as "C" for Cast Iron pump base & pump head models and "N" for SS 316 construction.  
 The given performance is same for Type - C, S & N  
 In view of the continuous developments the Information / Descriptions / Specifications / Illustrations are subject to change without notice.

MV-44



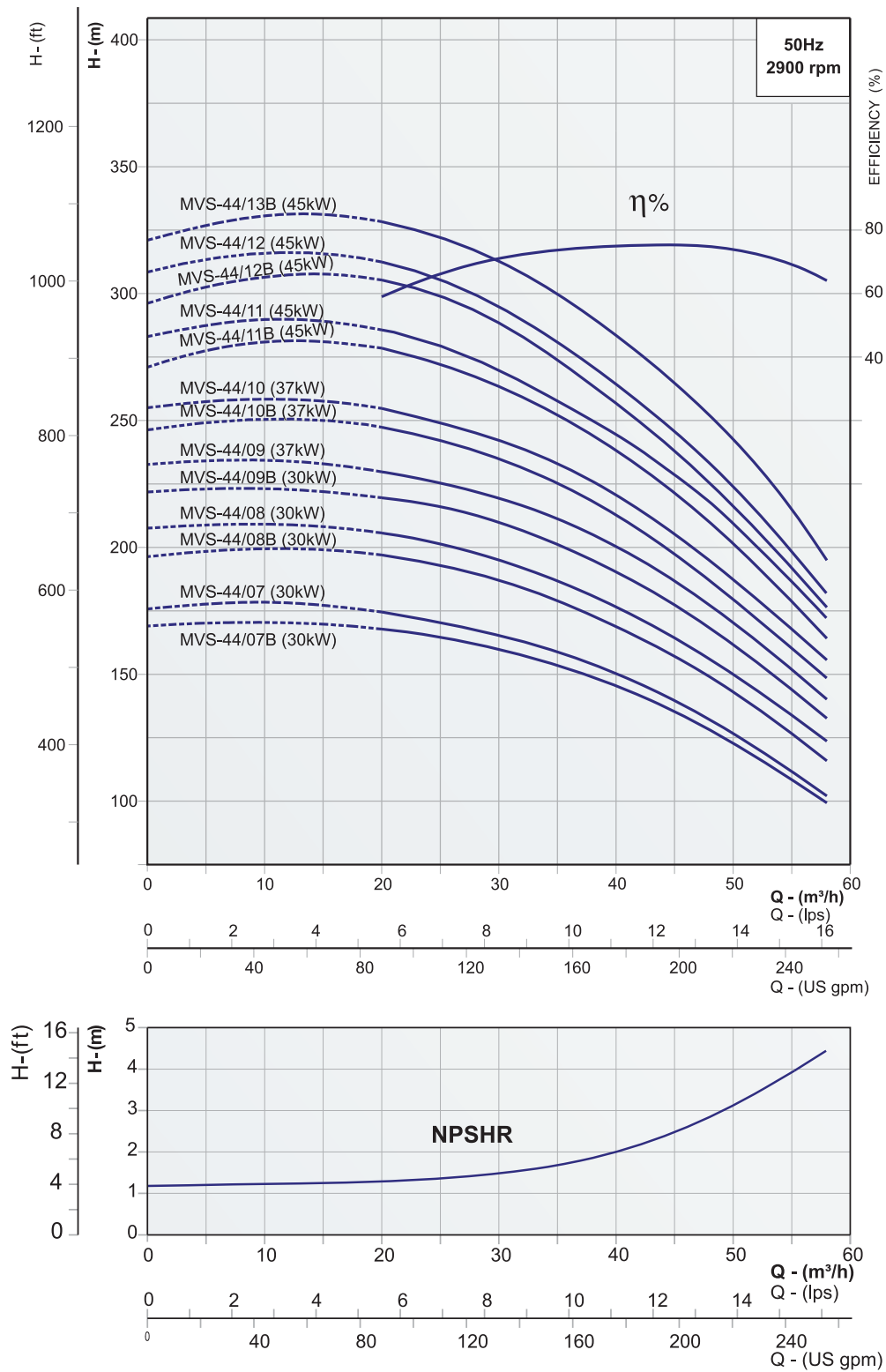
DIMENSIONS & WEIGHT

PUMP MODEL	MOTOR POWER		DIMENSIONS IN mm (APPROX)								APPROX NETT WEIGHT WITHOUT PACKING IN kg			
	kW	HP	L1	L2		X		ØY	Z	ØD	PUMP		MOTOR	
				1Ph	3Ph	1Ph	3Ph				MVC (R)	MVS & N (P)	1Ph	3Ph
MVS-44/07B	30	40	1148	-	630	-	271	sq340	305	400	106	103	-	242
MVS-44/07	30	40	1148	-	630	-	271	sq340	305	400	106	103	-	242
MVS-44/08B	30	40	1228	-	630	-	271	sq340	305	400	110	107	-	242
MVS-44/08	30	40	1228	-	630	-	271	sq340	305	400	110	107	-	242
MVS-44/09B	30	40	1308	-	630	-	271	sq340	305	400	114	111	-	242
MVS-44/09	37	50	1308	-	650	-	276	395	305	400	117	114	-	258
MVS-44/10B	37	50	1388	-	650	-	276	395	305	400	121	118	-	258
MVS-44/10	37	50	1388	-	650	-	276	395	305	400	121	118	-	258
MVS-44/11B	45	60	1468	-	695	-	297	435	305	450	125	122	-	320
MVS-44/11	45	60	1468	-	695	-	297	435	305	450	125	122	-	320
MVS-44/12B	45	60	1548	-	695	-	297	435	305	450	129	126	-	320
MVS-44/12	45	60	1548	-	695	-	297	435	305	450	129	126	-	320
MVS-44/13B	45	60	1628	-	695	-	297	435	305	450	129	126	-	320

NOMINAL FLOW : 44m<sup>3</sup>/h

PERFORMANCE CURVES

MV-44



Replace the 3rd digit in model name as "C" for Cast Iron pump base & pump head models and "N" for SS 316 construction.  
 The given performance is same for Type - C, S & N  
 In view of the continuous developments the Information / Descriptions / Specifications / Illustrations are subject to change without notice.