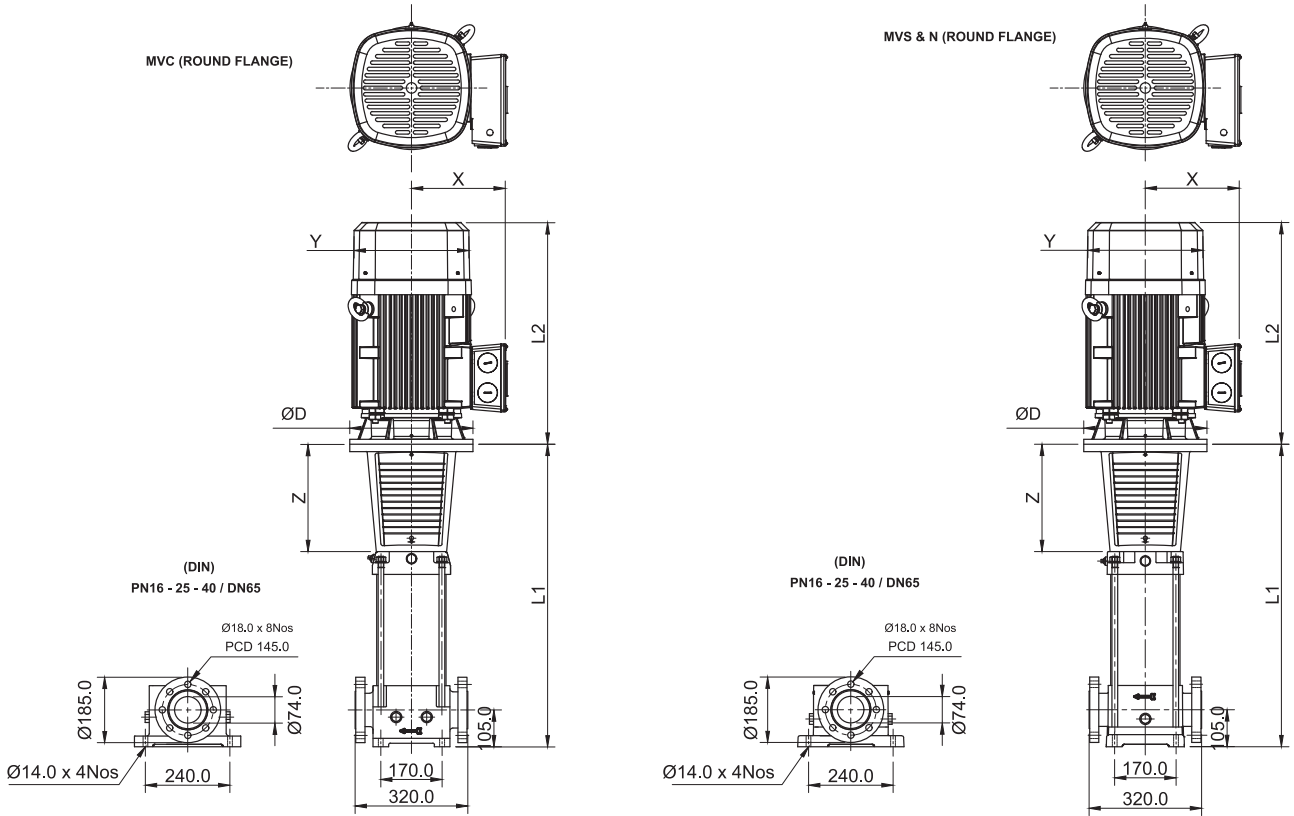


MV-32



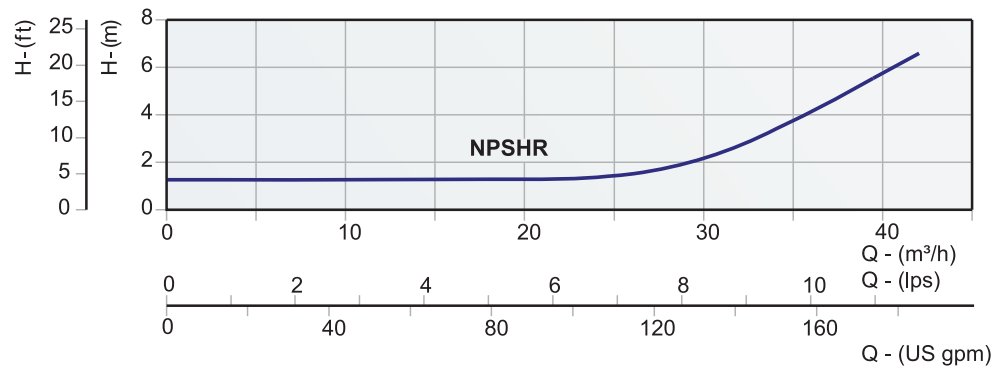
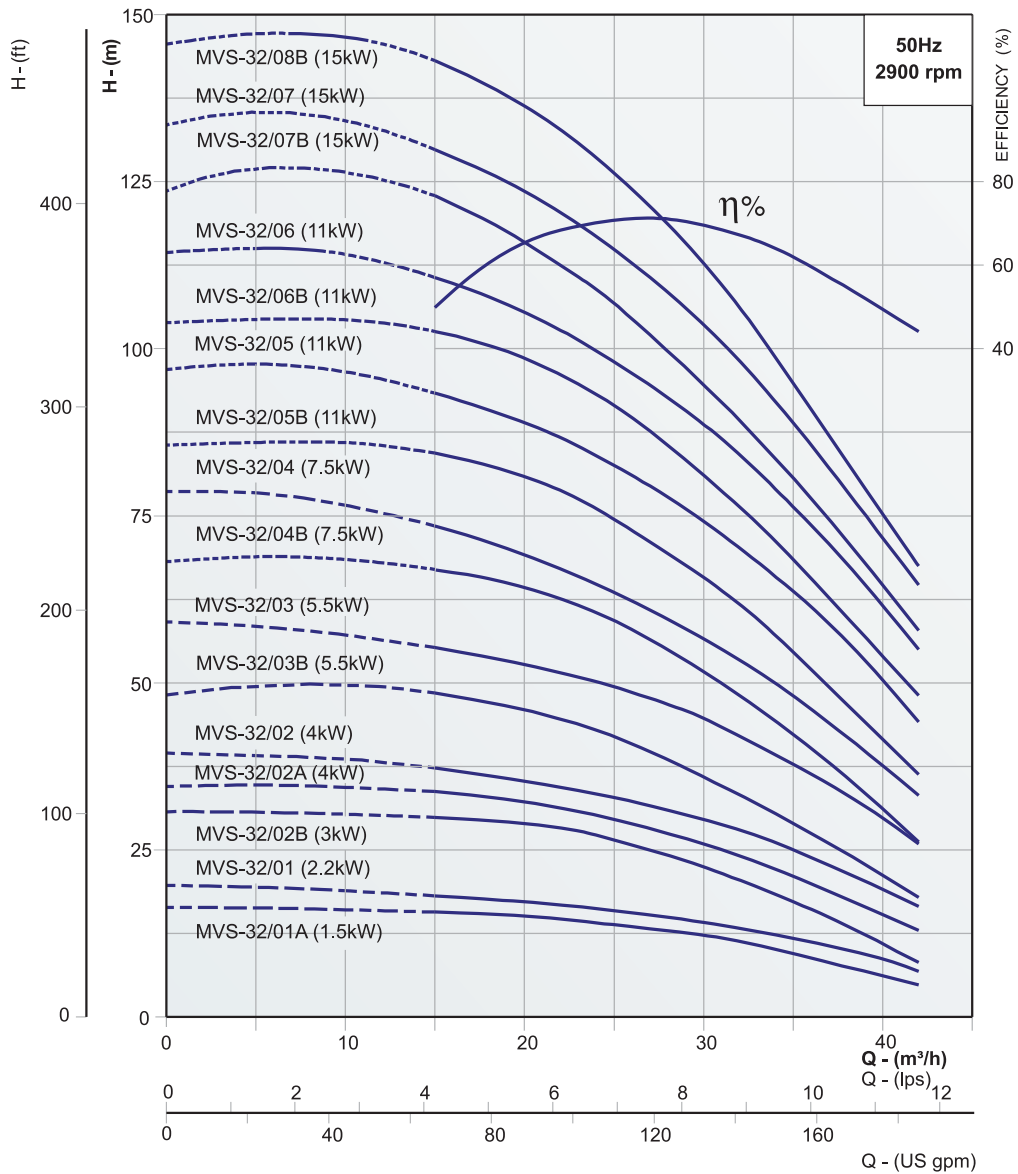
DIMENSIONS & WEIGHT

PUMP MODEL	MOTOR POWER		DIMENSIONS IN mm (APPROX)								APPROX NETT WEIGHT WITHOUT PACKING IN kg			
	kW	HP	L1	L2		X		ØY	Z	ØD	PUMP		MOTOR	
				1Ph	3Ph	1Ph	3Ph				MVC (R)	MVS & N (P)	1Ph	3Ph
MVS-32/01A	1.5	2	510	310	280	145	118.5	160	187	270	58.5	63.5	15	12.5
MVS-32/01	2.2	3	510	303	303	150	123.5	176	187	270	58.5	63.5	17.5	16
MVS-32/02B	3	4	580	-	341	-	123.5	176	190	270	61.5	66.5	-	20.5
MVS-32/02A	4	5.5	580	-	342.5	-	141.5	197	190	270	61.5	66.5	-	23
MVS-32/02	4	5.5	580	-	342.5	-	141.5	197	190	270	61.5	66.5	-	23
MVS-32/03B	5.5	7.5	650	-	379	-	189	257	201	270	63.5	68.5	-	40.5
MVS-32/03	5.5	7.5	650	-	379	-	189	257	201	270	63.5	68.5	-	40.5
MVS-32/04B	7.5	10	720	-	419	-	189	257	201	270	66.5	71.5	-	44
MVS-32/04	7.5	10	720	-	419	-	189	257	201	270	66.5	71.5	-	44
MVS-32/05B	11	15	895	-	495	-	223	314	305	350	82.5	87.5	-	122
MVS-32/05	11	15	895	-	495	-	223	314	305	350	82.5	87.5	-	122
MVS-32/06B	11	15	965	-	495	-	223	314	305	350	85.5	90.5	-	122
MVS-32/06	11	15	965	-	495	-	223	314	305	350	85.5	90.5	-	122
MVS-32/07B	15	20	1035	-	495	-	223	314	305	350	88.5	93.5	-	131
MVS-32/07	15	20	1035	-	495	-	223	314	305	350	88.5	93.5	-	131
MVS-32/08B	15	20	1105	-	495	-	223	314	305	350	91.5	96.5	-	131

NOMINAL FLOW : 32m<sup>3</sup>/h

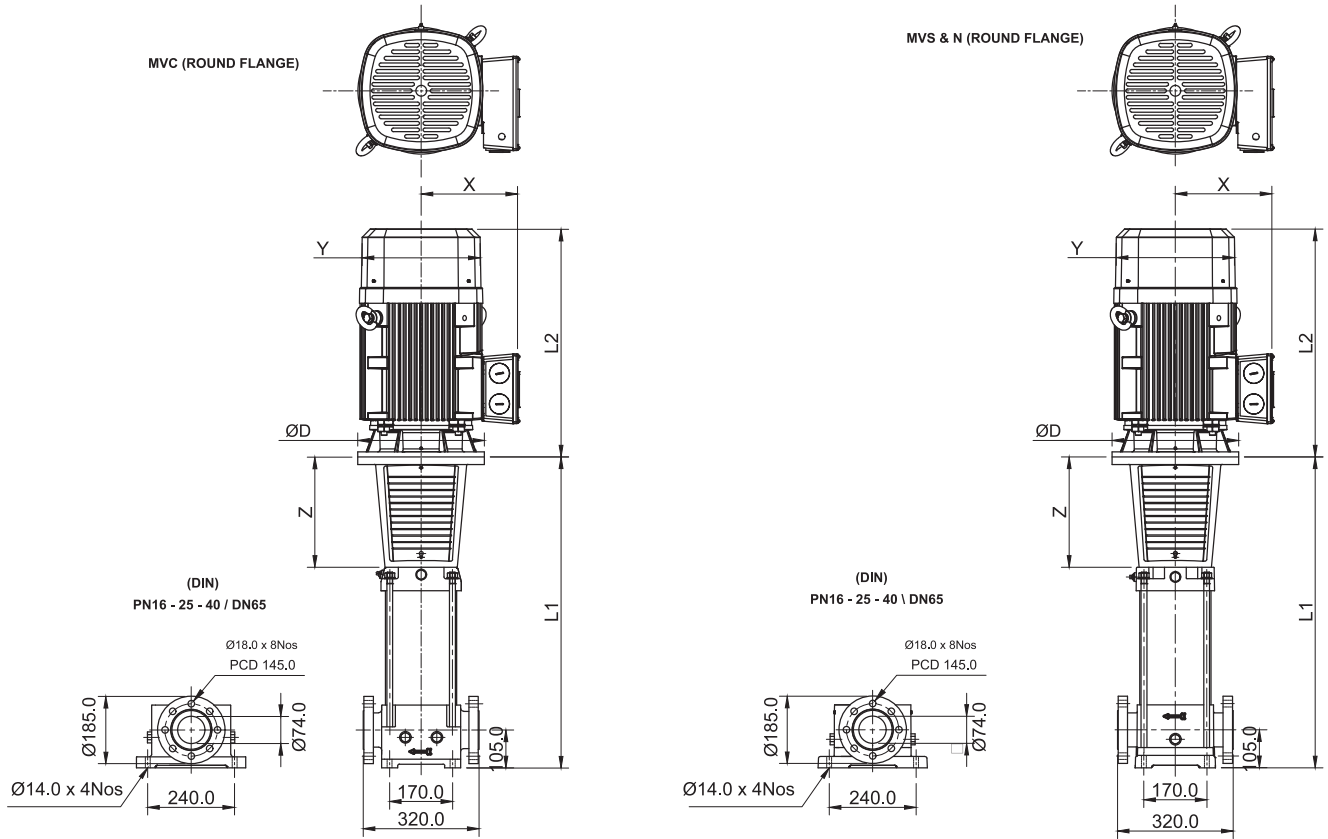
PERFORMANCE CURVES

MV-32



Replace the 3rd digit in model name as "C" for Cast Iron pump base & pump head models and "N" for SS 316 construction.  
The given performance is same for Type - C, S & N  
In view of the continuous developments the Information / Descriptions / Specifications / Illustrations are subject to change without notice.

MV-32



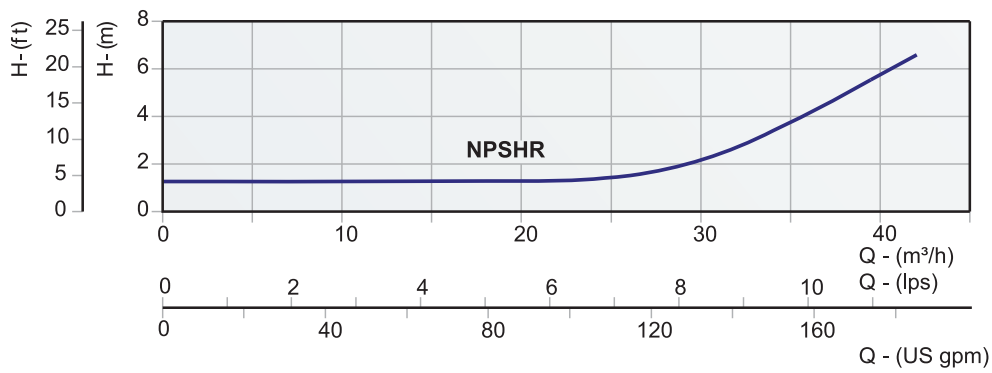
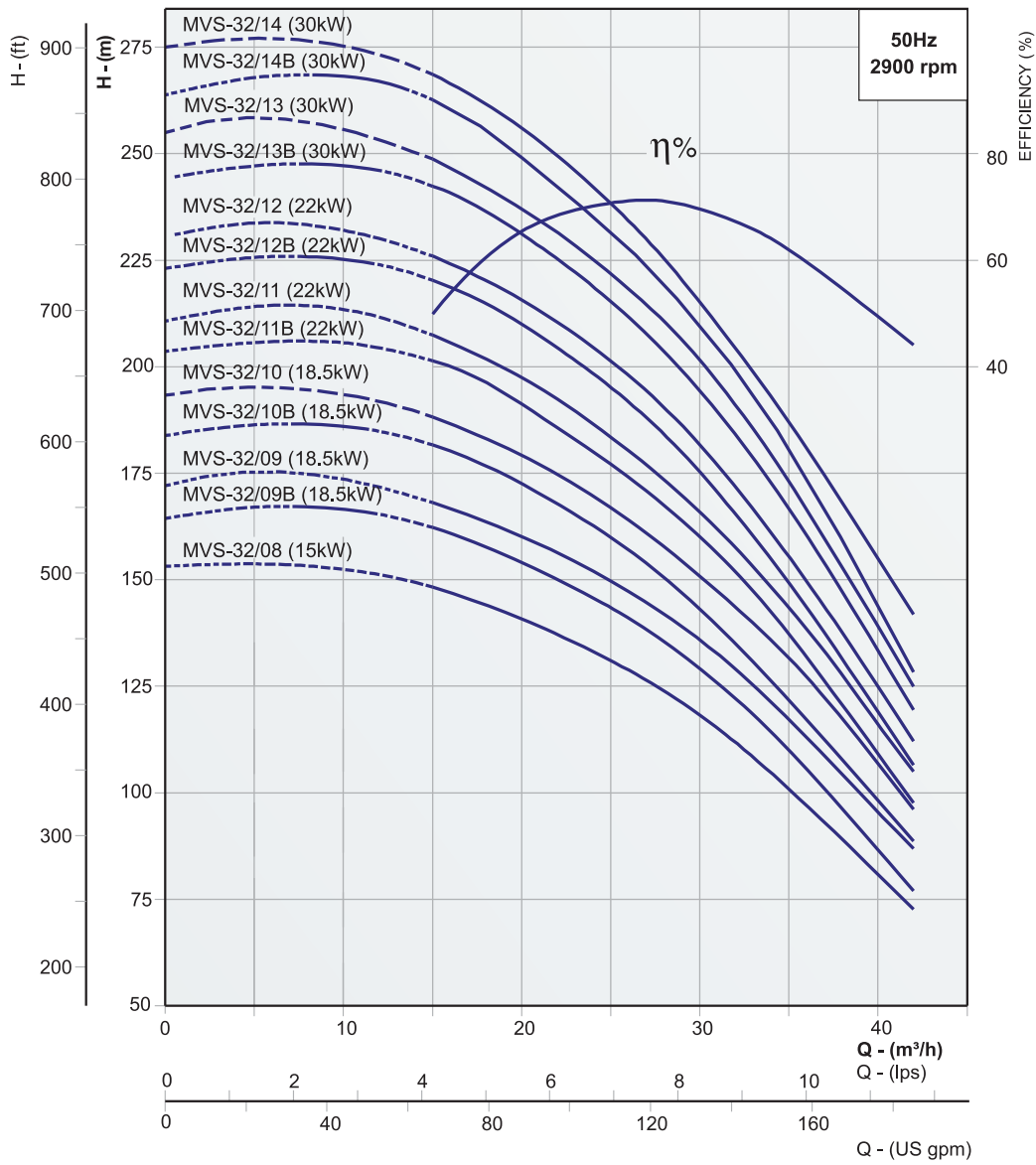
DIMENSIONS & WEIGHT

PUMP MODEL	MOTOR POWER		DIMENSIONS IN mm (APPROX)							APPROX NETT WEIGHT WITHOUT PACKING IN kg				
	kW	HP	L1	L2		X		ØY	Z	ØD	PUMP		MOTOR	
				1Ph	3Ph	1Ph	3Ph				MVC (R)	MVS & N (P)	1Ph	3Ph
MVS-32/08	15	20	1105	-	495	-	223	314	305	350	91.5	96.5	-	131
MVS-32/09B	18.5	25	1175	-	495	-	223	314	305	350	94.5	99.5	-	151
MVS-32/09	18.5	25	1175	-	495	-	223	314	305	350	94.5	99.5	-	151
MVS-32/10B	18.5	25	1245	-	495	-	223	314	305	350	97.5	102.5	-	151
MVS-32/10	18.5	25	1245	-	495	-	223	314	305	350	97.5	102.5	-	151
MVS-32/11B	22	30	1315	-	630	-	271	sq340	305	350	100.5	105.5	-	180
MVS-32/11	22	30	1315	-	630	-	271	sq340	305	350	100.5	105.5	-	180
MVS-32/12B	22	30	1385	-	630	-	271	sq340	305	350	103.5	108.5	-	180
MVS-32/12	22	30	1385	-	630	-	271	sq340	305	350	103.5	108.5	-	180
MVS-32/13B	30	40	1455	-	630	-	271	sq340	305	400	107.5	112.5	-	242
MVS-32/13	30	40	1455	-	630	-	271	sq340	305	400	107.5	112.5	-	242
MVS-32/14B	30	40	1525	-	630	-	271	sq340	305	400	110.5	115.5	-	242
MVS-32/14	30	40	1525	-	630	-	271	sq340	305	400	110.5	115.5	-	242

NOMINAL FLOW : 32m<sup>3</sup>/h

PERFORMANCE CURVES

MV-32



Replace the 3rd digit in model name as "C" for Cast Iron pump base & pump head models and "N" for SS 316 construction.  
The given performance is same for Type - C, S & N  
In view of the continuous developments the Information / Descriptions / Specifications / Illustrations are subject to change without notice.