

Application

- It is applicable to household water supply, equipment support, pipeline pressurization, garden watering, vegetable greenhouse watering, fish farming and poultry raising, industrial and mining, water supply and drainage of enterprises and high-rise buildings, central air conditioner and centralized heating circulation system, etc.

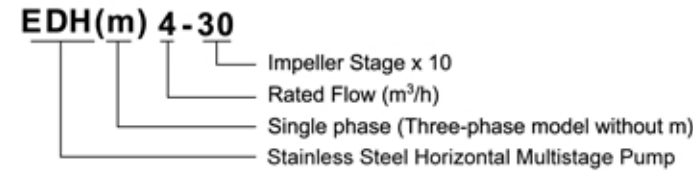
Pump

- AISI304 shaft
- Max. Liquid temperature: +85°C
- Altitude: up to 1000 m
- Max. suction: 8 m
- Max. inlet pressure: limited by max. operating pressure

Motor

- Motor with copper winding
- Built-in thermal protector for single phase motor
- Insulation class: F
- Protection class: IP44
- Max. ambient temperature: +40°C

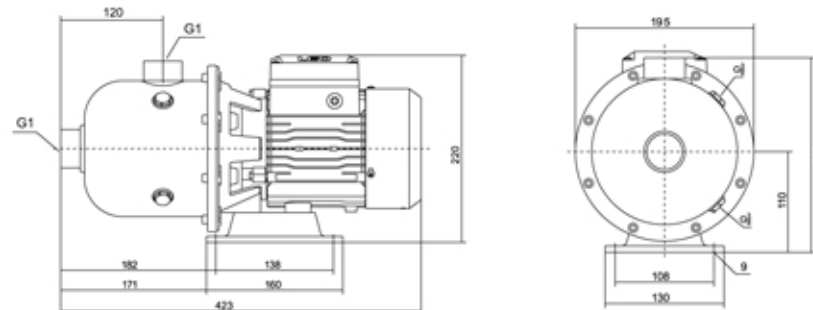
Identification Codes



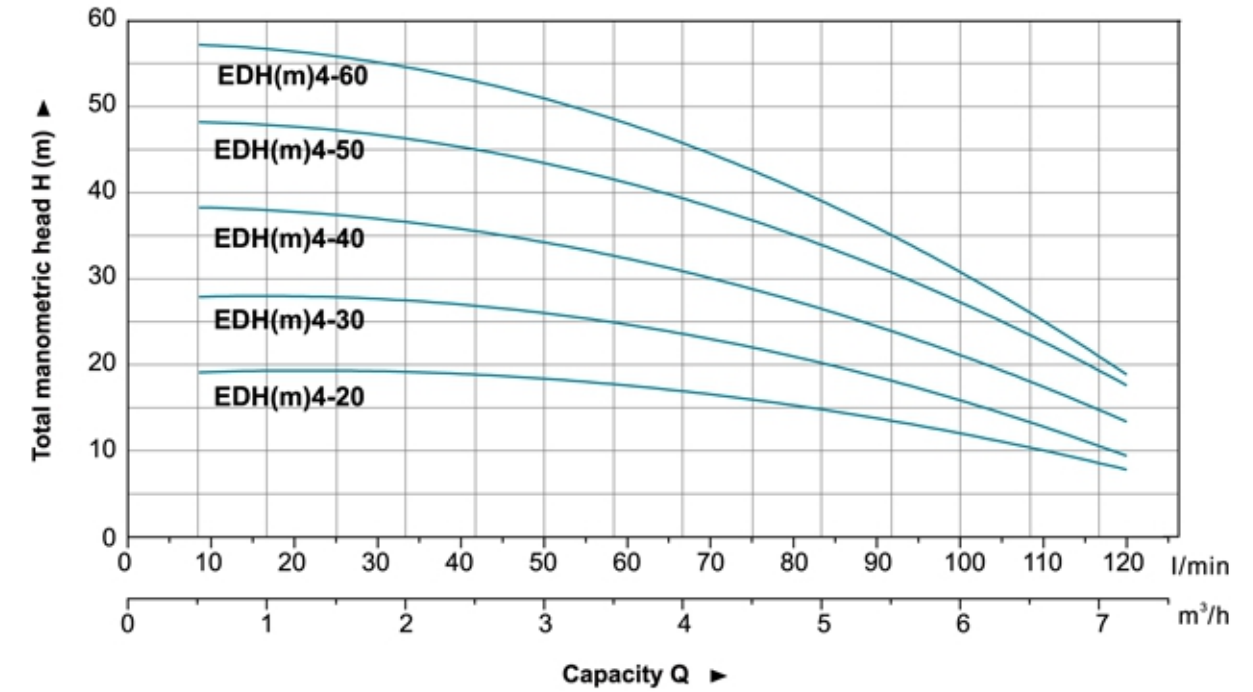
Technical Data

Model		Power (P2)		Q (m ³ /h)																
Single-phase	Three-phase	kW	HP	0	1.0	2.0	3.0	4.0	5.0	6.0	7.0	Q (l/min)								
EDHm4-20	EDH4-20	0.55	0.75	H (m)	0	17	33	50	67	83	100	117	19	18.3	17.2	16.1	14.3	11.3	6.3	2.3
EDHm4-30	EDH4-30	0.55	0.75		28.3	27.7	26.4	24.6	22.1	18.8	13.5	7.3								
EDHm4-40	EDH4-40	0.75	1.0		39.2	36.1	35.2	32.9	29.9	24.7	18.6	9.2								
EDHm4-50	EDH4-50	1.1	1.5		48.7	46.5	45	42.5	37	31.8	21.8	10								
EDHm4-60	EDH4-60	1.1	1.5		59	55.5	53	47	42.5	35	23	12								

Dimension

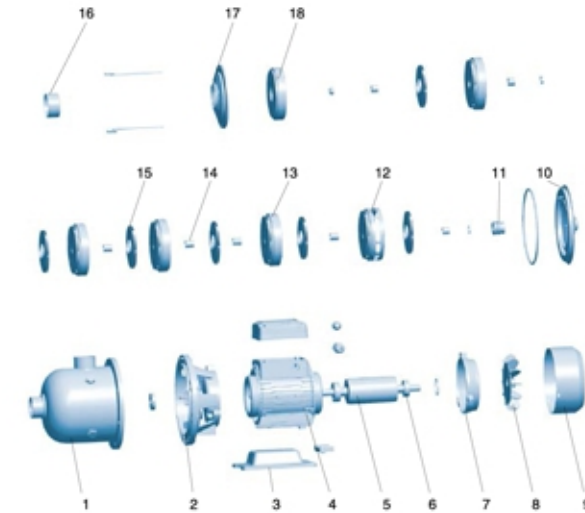


Hydraulic Performance Curves



Materials Table

No.	Part	Material
1	Pump body	AISI 304/AISI 316
2	Support	ZL102
3	Bottom plate	Cast iron
4	Stator	
5	Rotor	
6	Bearing	
7	Rear cover	ZL102
8	Fan	PP
9	Fan cover	08F
10	Bracket cover	AISI 304
11	Mechanical seal	Carbon/Ceramic
12	Diffuser 3	AISI 304
13	Diffuser 2	AISI 304
14	Sleeve	AISI 304
15	Impeller	AISI 304
16	Spacer bush	AISI 304
17	Pressure plate	AISI 304
18	Diffuser 1	AISI 304



Package Information

Model	GW (Kgs)	L (mm)	W (mm)	H (mm)	Quantity (PCS/20 TEU)
EDH(m)4-20	11.5	460	224	278	1088
EDH(m)4-30	11.8	460	224	278	1088
EDH(m)4-40	12	460	224	278	1088
EDH(m)4-50	14.3	460	224	278	1088
EDH(m)4-60	14.5	460	224	278	1088

